

Project _____
 Item _____
 Quantity _____
 CSI Section 11400
 Approved _____
 Date _____

Electric Staging Griddle

Electric Staging Griddle

Models

- GSL4S



Model GSL4S

Standard Features

- Programmable user interface to control:
 - Griddle temperature for the left and right halves of the plate
 - Cooking or hold time
 - First on, first off product management
 - Cleaning temperature
- EasyTouch™ screen design is simple and intuitive
- Advanced temperature control, smart anticipation versus on-off
 - Minimizes temperature overshoot and undershoot
 - Increases temperature uniformity with four independently controlled heat zones
 - Each side of the griddle can be set to a different temperature for menu flexibility, eg., all-day breakfast
- USB interface to update menus
- Embossed lane marking for ease of reference and use
- Stainless steel front, top and sides
- Adjustable swivel casters (4) with front brakes
- One year limited parts and labor (USA & Canada)
- Grill ships with a pre-installed cord with 30A - 90deg NEMA plug end as standard

Accessories

- Sanitization pan mount bracket
- Squeegee tray mount bracket
- Grease collection guide bracket
- Wall standoffs included

Specifications

Griddle plate made of 3/4" (19mm) thick carbon steel, machine ground and highly polished.

Griddle plate heated by four independently thermocoupled and controlled electric heating elements.

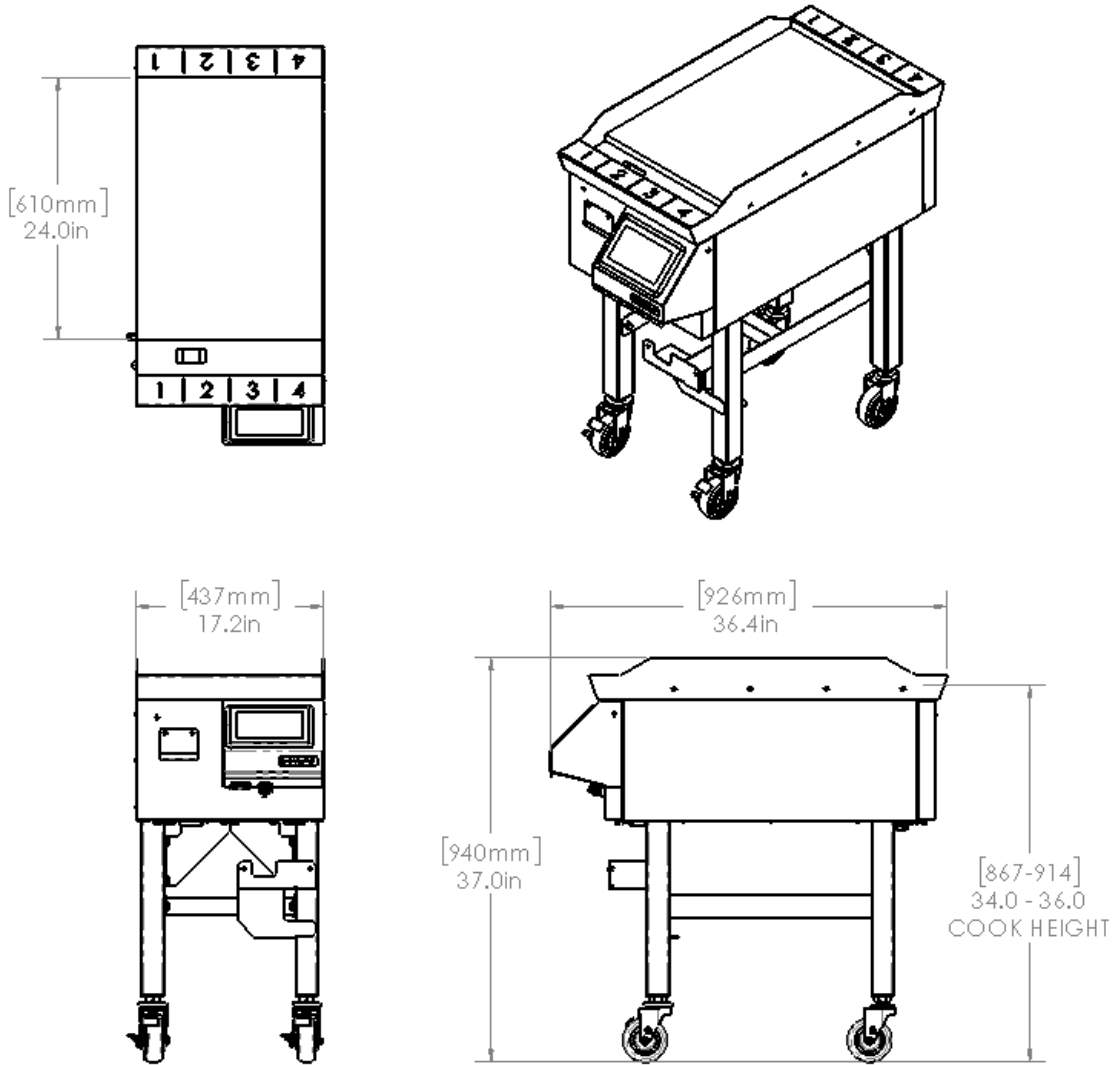
Available in three phase power for Delta electrical system.

Available with CSA and NSF approvals.

Installation with zero clearance against non-combustible surfaces.



Electric Staging Griddle



GSL4S CSA Model - Delta Wiring Configuration				
VOLTAGE 3Ph 50/60 Hz	POWER (W)	MAX CURRENT (A)		
		L1	L2	L3
200V	4167	13.8	13.8	9.0
208V	4507	14.3	14.3	9.4
220V	5042	15.2	15.2	9.9
230V	5510	15.8	15.8	10.4
240V	6000	16.5	16.5	10.8

Welbilt reserves the right to make changes to the design or specifications without prior notice.